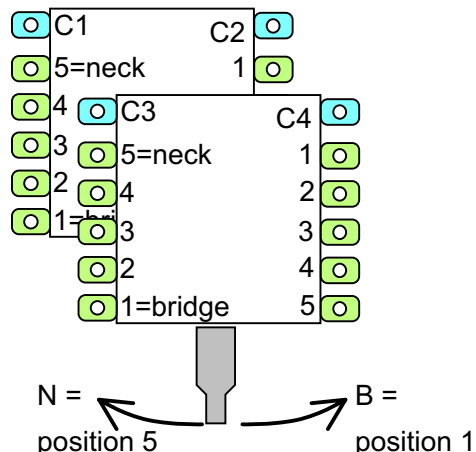
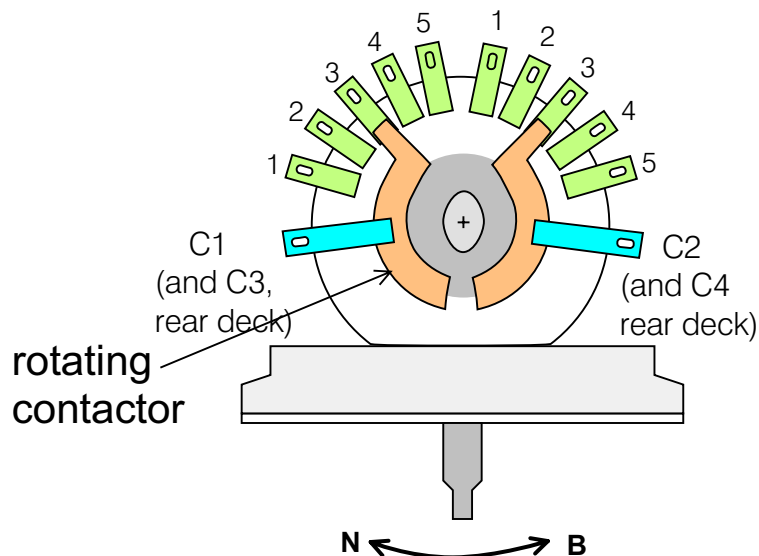


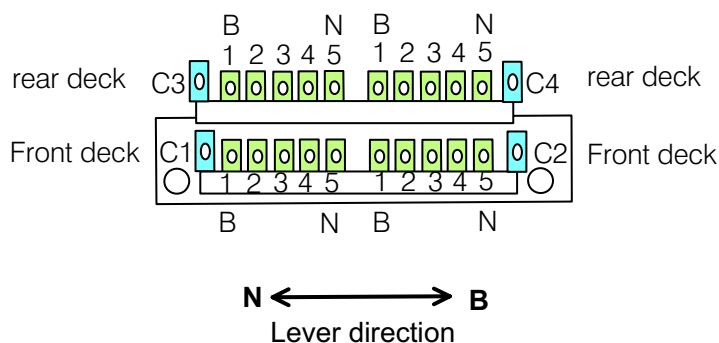
USING 4-POLE PICKUP SELECTOR SWITCHES FOR INSTALLATION OF THE SUSTAINIAC, FOR GUITARS HAVING COIL TAPS



VLX-91 switch
(Ibanez Jem)



Superswitch



These are both 4-pole switches. Each pole is a separate 5-position switch. Each "C" (common) contact (C1, C2 etc.) connects to its respective "1" contact in BRIDGE PICKUP position, and to "5" contact in NECK PICKUP position, etc. They both work the same. They are both of open construction. You can observe the rotating COMMON contacts move and sequentially contact their respective numbered contacts 1-5.

Each switch has its own advantages. The Superswitch COMMON contacts actually pinch the numbered contacts from both sides. This might provide a little more reliability. The VLX-91 (supplied in Ibanez Jem guitars) is thinner, and therefore takes up less room in the guitar electronics cavity. The VLX 91 is constructed with circuit board technology, with gold plating on the contactors. The contactor doesn't pinch the contacts, but brushes along the one surface.

We have a track record with the Superswitch, and it seems to last a long time. Unfortunately, we do not stock the VLX-91, and have only been seeing it for about a year. It does appear to be well-made, however.

There are other 4-pole switches on the market. Some are totally enclosed in plastic. We have experienced reliability problems with some of these plastic-enclosed switches. We recommend replacing these with the Superswitch or VLX-91 if you are installing a Sustainiac into your guitar.

Sustainiac is a registered trademark of Maniac Music Inc., Indianapolis IN.

Stratocaster is a registered trademark of Fender Musical Instrument Corp., Scottsdale Arizona

Ibanez is a registered trademark of Hoshino Musical Instrument Co., North Hollywood CA.