

MANIAC MUSIC, INC.  
2-19-10

**OEM #8**

SUSTAINIAC GA-8 "OEM" board  
VIEWED FROM REAR OF  
TYPICAL INSTRUMENT

VERY IMPORTANT

(TO PREVENT OSCILLATION AND  
DISTORTION IN GUITAR SIGNAL)

1. Keep wht/orn wires (8-pin connector) away from circuit board (as shown)
2. Keep all guitar signal wires away from circuit board.
3. Green, black, gray (8-pin) can go anywhere. Also, battery etc. can go anywhere. Not critical.
4. 9-VOLT BATTERY:  
Add plastic wire tie to prevent lead breakage.

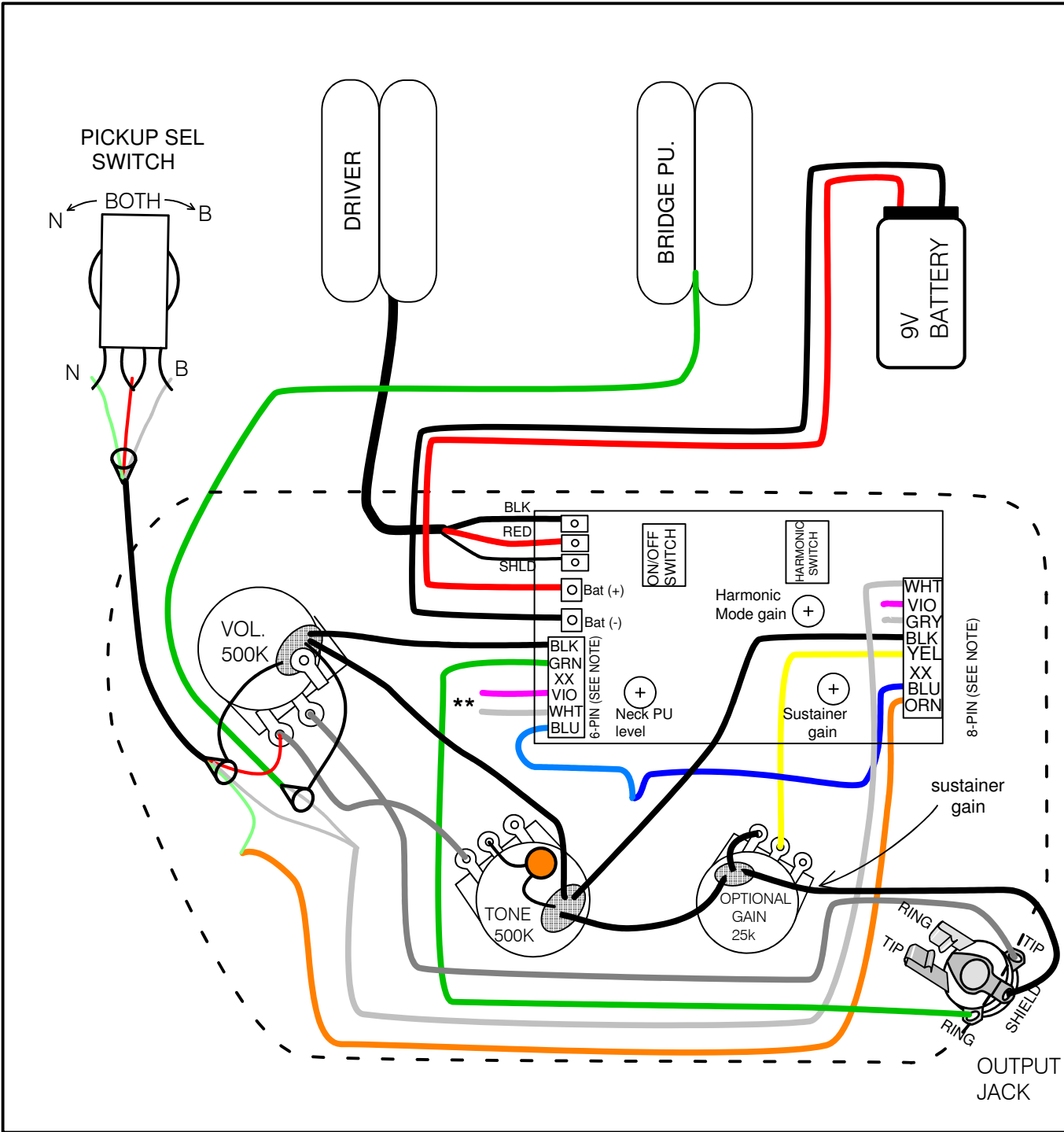
OPTIONAL SUSTAINER DRIVE POT:

25K pot connected as shown.  
If not used, then disconnect yellow wire.

\*\* OPTIONAL NECK PU BOOST:

Normal neck pickup sound is equalized like a single-coil. You can use a DPDT toggle or push-pullswitch to boost by about 6 dB, and also give a HB sound.

The violet/white wires on the 6-pin connector do this. Connect white to ground, boost 6dB. Connect violet to ground, tone changes to HB sound.



OUTPUT JACK