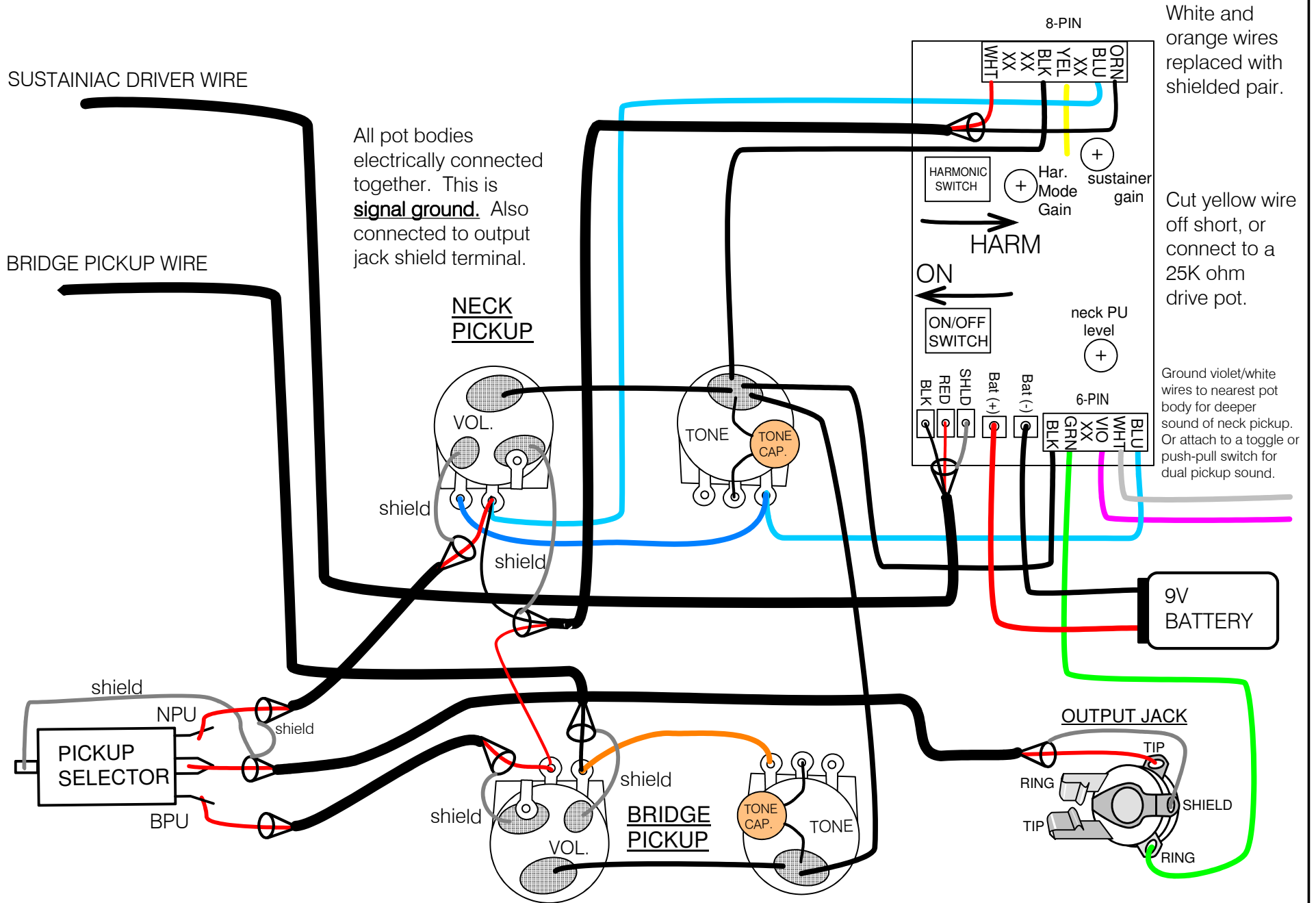


SUSTAINIAC<sup>®</sup> OEM BOARD FOR LES PAUL guitar OEM #14 1/9/2022



All pot bodies electrically connected together. This is **signal ground**. Also connected to output jack shield terminal.

White and orange wires replaced with shielded pair.

Cut yellow wire off short, or connect to a 25K ohm drive pot.

Ground violet/white wires to nearest pot body for deeper sound of neck pickup. Or attach to a toggle or push-pull switch for dual pickup sound.